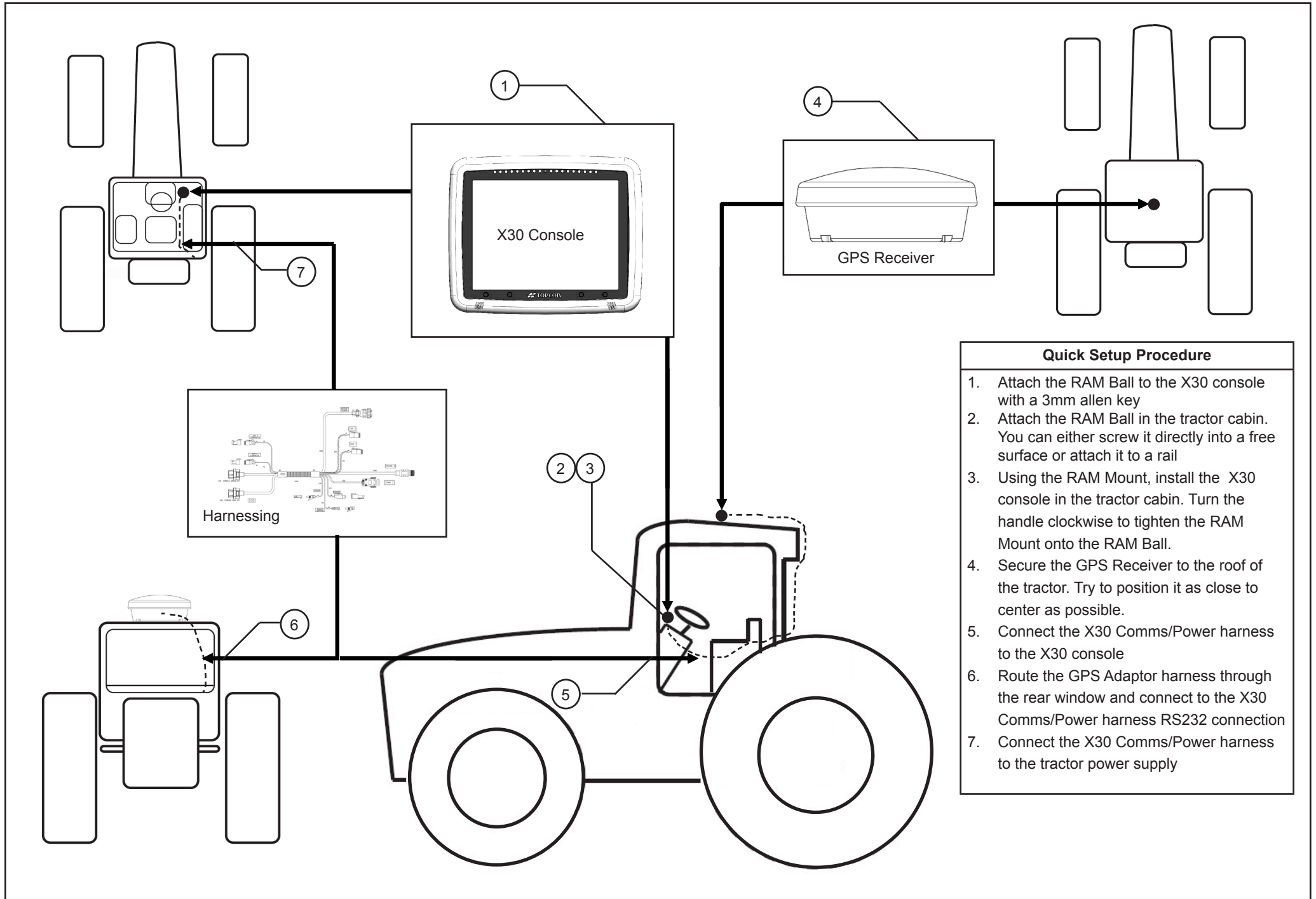


# X30 Quick Setup Card

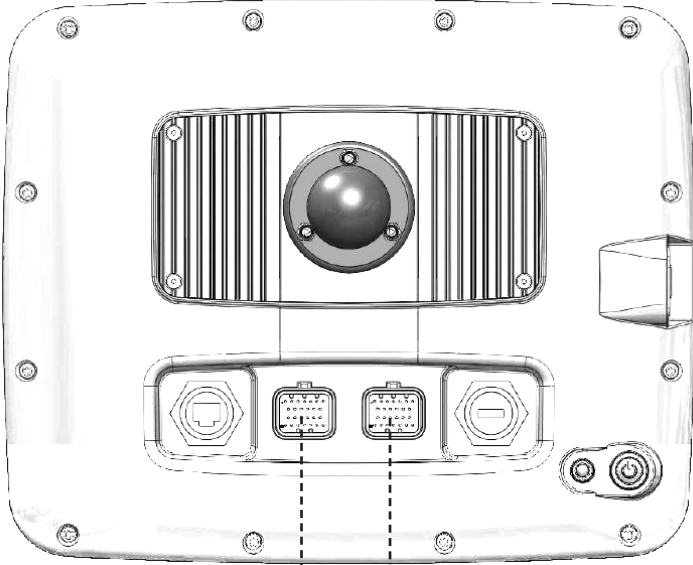


- | Quick Setup Procedure |  |
|-----------------------|--|
| 1.                    | Attach the RAM Ball to the X30 console with a 3mm allen key  |
| 2.                    | Attach the RAM Ball in the tractor cabin. You can either screw it directly into a free surface or attach it to a rail                    |
| 3.                    | Using the RAM Mount, install the X30 console in the tractor cabin. Turn the handle clockwise to tighten the RAM Mount onto the RAM Ball. |
| 4.                    | Secure the GPS Receiver to the roof of the tractor. Try to position it as close to center as possible.                                   |
| 5.                    | Connect the X30 Comms/Power harness to the X30 console   |
| 6.                    | Route the GPS Adaptor harness through the rear window and connect to the X30 Comms/Power harness RS232 connection                        |
| 7.                    | Connect the X30 Comms/Power harness to the tractor power supply  |

# X30 Quick Setup Card



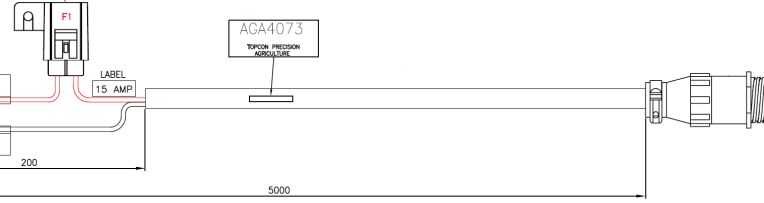
X30 Console



**\*\*\*IMPORTANT\*\*\***  
WARRANTY VOID IF YOU DO NOT  
CONNECT THIS WIRE TO +12VOLTS  
ON BATTERY

**\*\*\*IMPORTANT\*\*\***  
CONNECT THIS WIRE TO -VE  
TERMINAL OF BATTERY WHICH IS  
CONNECTED TO TRACTOR FRAME

Battery Power



BATTERY POWER 30

GPS Antenna Adaptor Harness

